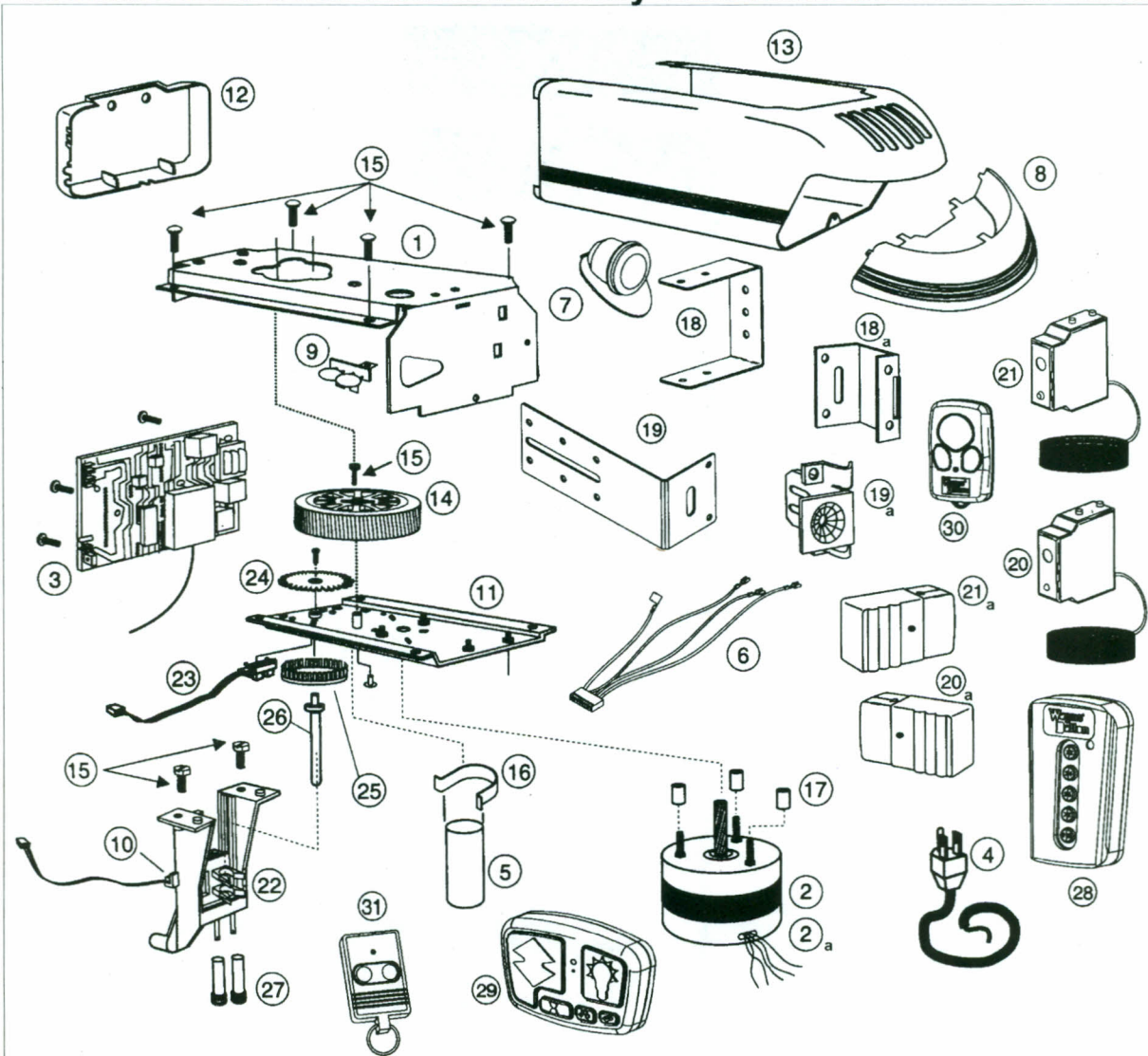
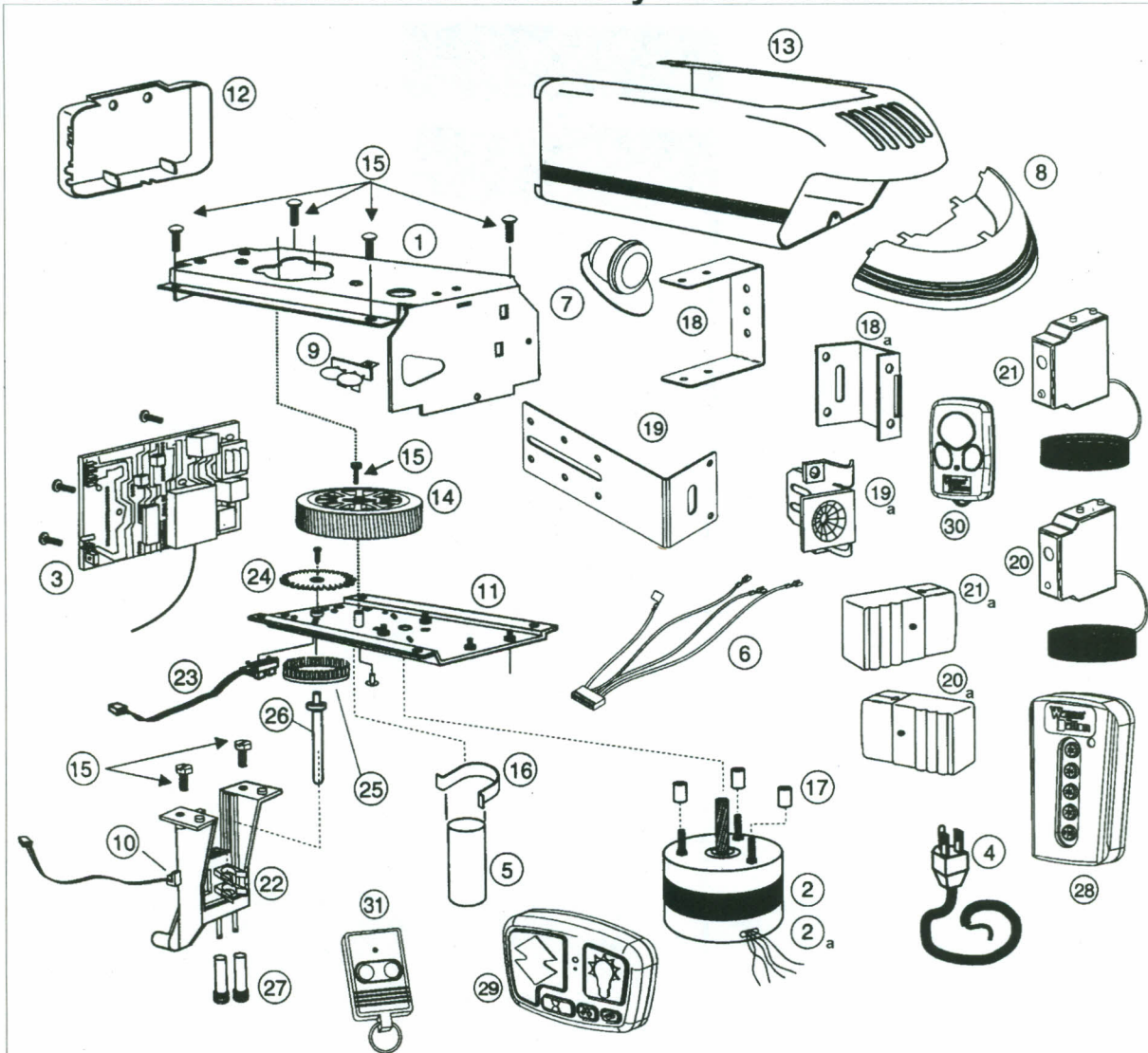


# Parts Breakdown Power Head Assembly And Accessories – All Models



#.	Part #	Description	Per Unit	#.	Part #	Description	# Per Unit
1.	157167	Frame	1	18.	157166	Wired Sensor Mounting Bracket	2
2.	292123 or 291385	Motor – 1/2 H.P.	1	18a.	157159	Wireless Sensor Wall Mounting Bracket	2
2a.	291386 or 291387	Motor – 1/3 H.P.	1	19.	157165	Wired Sensor Sliding Bracket	2
3.	306132	Motor Control Board (all models)	1	19a.	157162	Wireless Sensor Mounting Bracket	2
4.	306364	Power Supply Cord	1	20.	260597	Wired Receiving Unit	1
5.	260570	Capacitor – 1/2 H.P.	1	20a.	260598	Wireless Transponder Unit	1
6.	306486	Wiring Harness	1	21.	260600	Wired Sending Unit	1
7.	269028	Light Socket	1	21a.	260599	Wireless Sending Unit	1
8.	260552	Lens	1	22.	252092	Limit Assembly (includes items #10, 27 & 26)	1
9.	252994	MOV Surge Suppressor	1	23.	249321	LED interrupter	1
10.	252993	Limit Switch	1	24.	260556	Limit Driver Gear	1
11.	252125	Sub-Frame	1	25.	157039	Interrupter Disk	1
12.	260532	End-Cap	1	26.	260557	Shaft, Limit Driver	1
13.	260530	Housing	1	27.	157055	Limit Adjuster	2
14.	260525	Gear, Driven	1	28.	306134	5 Button Wireless Keyless Entry	1
15.	251248	Screw 1/4-20 x 3/8	7	29.	302090	5 Button Wall-station Transmitter	1
16.	301675	Capacitor Clamp	1	30.	302083	3 Button Mini/ Visor Transmitter	1
17.	157496	5/16" Motor Spacers	3	31.	299264	2 Button Mini Transmitter	1

# Parts Breakdown Power Head Assembly And Accessories – All Models



#.	Part #	Description	Per Unit	#.	Part #	Description	# Per Unit
1.	157167	Frame	1	18.	157166	Wired Sensor Mounting Bracket	2
2.	292123 or 291385	Motor – 1/2 H.P.	1	18a.	157159	Wireless Sensor Wall Mounting Bracket	2
2a.	291386 or 291387	Motor – 1/3 H.P.	1	19.	157165	Wired Sensor Sliding Bracket	2
3.	306132	Motor Control Board (all models)	1	19a.	157162	Wireless Sensor Mounting Bracket	2
4.	306364	Power Supply Cord	1	20.	260597	Wired Receiving Unit	1
5.	260570	Capacitor – 1/2 H.P.	1	20a.	260598	Wireless Transponder Unit	1
6.	306486	Wiring Harness	1	21.	260600	Wired Sending Unit	1
7.	269028	Light Socket	1	21a.	260599	Wireless Sending Unit	1
8.	260552	Lens	1	22.	252092	Limit Assembly (includes items #10, 27 & 26)	1
9.	252994	MOV Surge Suppressor	1	23.	249321	LED interrupter	1
10.	252993	Limit Switch	1	24.	260556	Limit Driver Gear	1
11.	252125	Sub-Frame	1	25.	157039	Interrupter Disk	1
12.	260532	End-Cap	1	26.	260557	Shaft, Limit Driver	1
13.	260530	Housing	1	27.	157055	Limit Adjuster	2
14.	260525	Gear, Driven	1	28.	306134	5 Button Wireless Keyless Entry	1
15.	251248	Screw 1/4-20 x 3/8	7	29.	302090	5 Button Wall-station Transmitter	1
16.	301675	Capacitor Clamp	1	30.	302083	3 Button Mini/ Visor Transmitter	1
17.	157496	5/16" Motor Spacers	3	31.	299264	2 Button Mini Transmitter	1